

DYRP36DS, DYRP48DS



Discovery® 36" and 48" Wide Dual Fuel Ranges

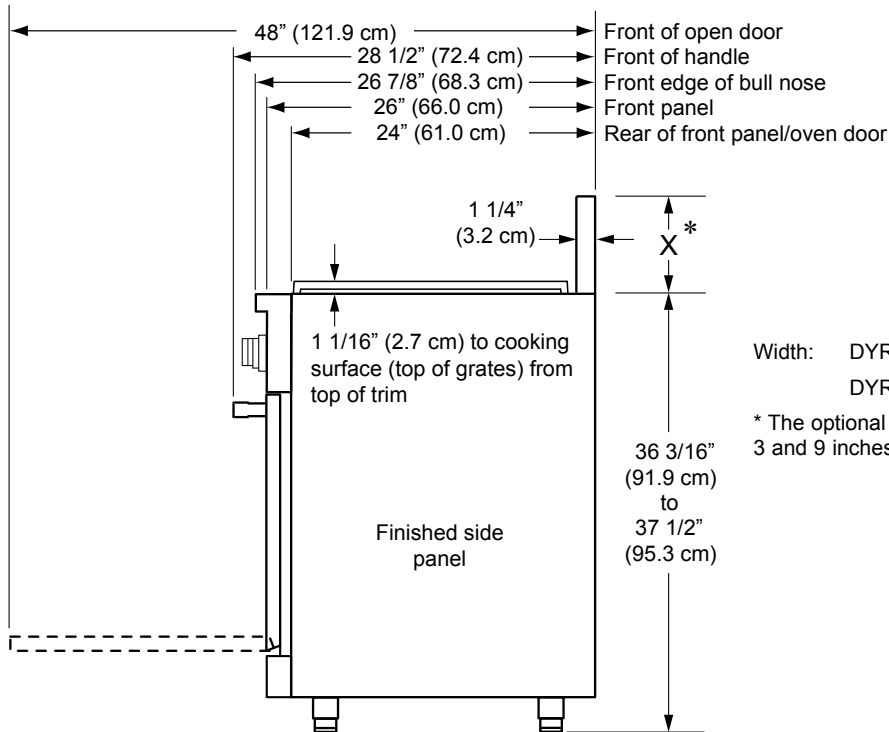
PLANNING GUIDE

Product Dimensions

Product tolerances: +/- 1/16" (+/- 1.6 mm) unless otherwise stated

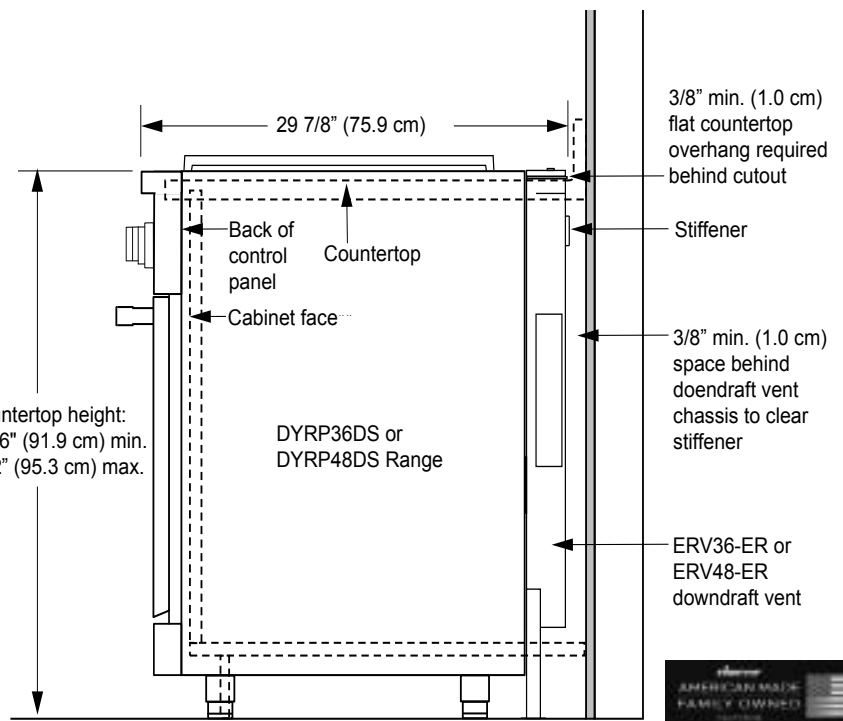
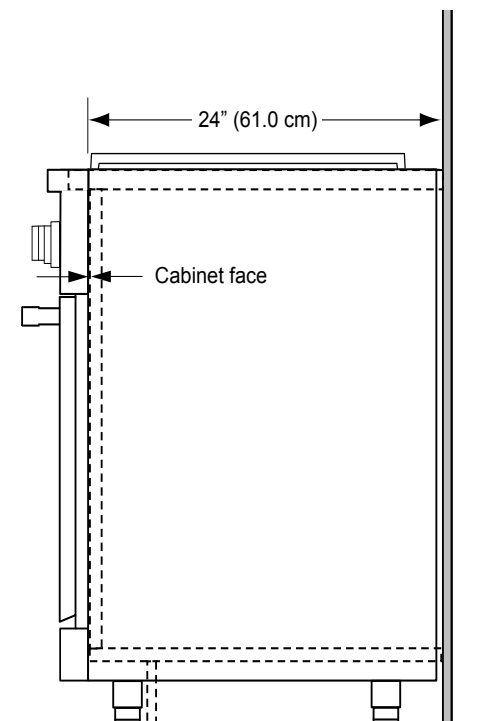
WARNING

- Observe all governing codes and ordinances during planning and installation. Contact your local building department for further information.
- This appliance must be installed in accordance with the accompanying installation instructions.



Width: DYRP36D[-C]-JS - 35 7/8" (91.1 cm)
 DYRP48D[-C]-JS - 47 7/8" (121.6 cm)

* The optional backguard is available in two heights; 3 and 9 inches high.



DYRP36DS, DYRP48DS



Discovery 36" and 48" Wide Dual Fuel Ranges

PLANNING GUIDE

Electrical Requirements

ELECTRIC CIRCUIT REQUIREMENTS		
Range Model	Circuit Required	Total Connected Load
DYR36D[-C]-S	240 Vac*, 60 Hz, 30 Amp.	5.75 kW (24.0 Amp.)
DYR48D[-C]-S	240 Vac*, 60 Hz, 50 Amp.	10.1 kW (41.9 Amp.)

* 4-wire, two 120 Vac hot (L1 and L2), one neutral, one ground

The ratings above are for reference only. Refer to the range data label for exact specifications.

- The wiring needs to be long enough to allow the range to be pulled out for service, while remaining connected.

The wiring to the range must:

- ▶ Meet NEMA standards and have a minimum rating of 250 Volts @ 30 Amps for model DYRP36DS and 250 Volts @ 50 amps for model DYRP48DS
- ▶ Include a strain relief
- ▶ Be terminated by tinned leads, closed loop terminals or open ended spade lugs with upturned ends
- ▶ Connect to a junction box or receptacle installed by a licensed electrician

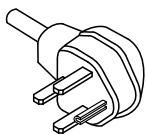
The appliance may be connected one of the following ways:

Using conduit:

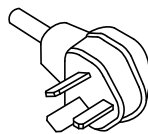
- ▶ A 4-wire conduit connected to a 4-wire junction box, or
- ▶ A 3-wire conduit (where local code permits, not for use with new branch circuit installations) connected to a 3-wire junction box.

Using an appliance cord:

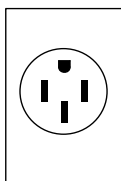
- ▶ A 4-wire appliance cord equipped with a NEMA 14-50P plug connected to a NEMA 14-50R receptacle, or
- ▶ A 3-wire appliance cord (where local code permits) equipped with a NEMA 10-50P plug connected to a NEMA 10-50R receptacle
- ▶ Appliance cord plug must be UL listed type SRD or SRDT.



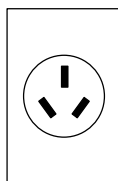
NEMA 14-50P PLUG



NEMA 10-50P PLUG



NEMA 14-50P RECEPTACLE



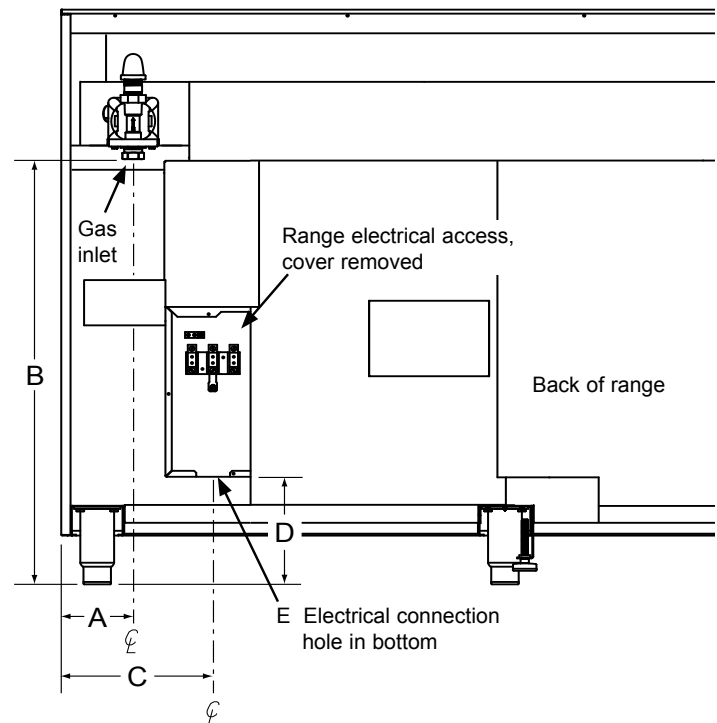
NEMA 10-50P RECEPTACLE

- Range models DYRP36D-C-S and DYRP48D-C-S come with a factory installed 4-wire appliance cord with NEMA 14-50P plug. For freestanding ranges installed in Canada, a factory installed 4-wire appliance cord with NEMA 14-50P plug is required, without modification.

Gas Supply Requirements

GAS SUPPLY PRESSURE REQUIREMENTS*		
Gas Type	Manifold Pressure	Minimum Gas Supply Pressure
Natural Gas	5" Water Column	6" Water Column
Propane (LP)	10" Water Column	11" Water Column

- The gas supply pressure for testing the regulator setting shall be at least 1 inch water column (249 Pa) above the specified manifold pressure.
- Maximum gas supply pressure for all models: 1/2 psi.
- The ratings above are for reference only. Refer to the range rating label for exact specifications (see page II for location).



GAS - ELECTRICAL ACCESS DIMENSIONS					
Model	A	B*	C	D	E**
DYRP36DS	6 3/4" (17.1 cm)	27" (68.6 cm)	12" (30.5 cm)	6 3/4" (17.1 cm)	7/8" (2.2 cm)
DYRP48DS	4 1/4" (10.8 cm)	27" (68.6 cm)	9" (22.9 cm)	6 3/4" (17.1 cm)	7/8" (2.2 cm)

* Measurement with appliance legs adjusted to lowest height.

** The diameter on models equipped for use in Canada is 1/4" (6.4 mm) larger than those stated. Canadian units come from the factory pre-wired with an appliance cord. When installing an appliance cord on models that are not pre-wired, the hole size must be increased to 1 1/8" (1 3/8" for model ER48D) by removing the conduit bracket inside the range electrical access box.

DYRP36DS, DYRP48DS



Discovery 36" and 48" Wide Dual Fuel Ranges

PLANNING GUIDE

Cabinet Layout

- All maximum and minimum dimensions and clearances shown in the diagrams below must be maintained for safe operation.
- The range should be placed away from drafts that may be caused by doors, windows and heating and air conditioning outlets.
- Avoid cabinet installations directly above the range. If cabinet storage is to be provided above the range, the risk can be reduced by installing a range hood that projects horizontally a minimum of 5 inches beyond the bottom of the cabinets.
- The range may be installed flush to the rear wall. Dacor strongly recommends installing a non-combustible material on the rear wall above the range and up to the vent hood or installation of a backguard.
- Any openings in the wall behind the appliance or in the floor underneath it must be sealed.

- The shaded area shown below denotes the location of the gas inlet and the electrical junction box/receptacle. This is the recommended location. For replacement purposes, the location of the existing utilities may be utilized provided they do not interfere with the sides or rear of the range.
- The junction box and gas shut off valve must be located so that the range can be pulled out for service while the appliance remains connected.
- An external manual shut-off valve must be installed between the gas inlet and the range for the purpose of turning on or shutting off gas to the appliance.

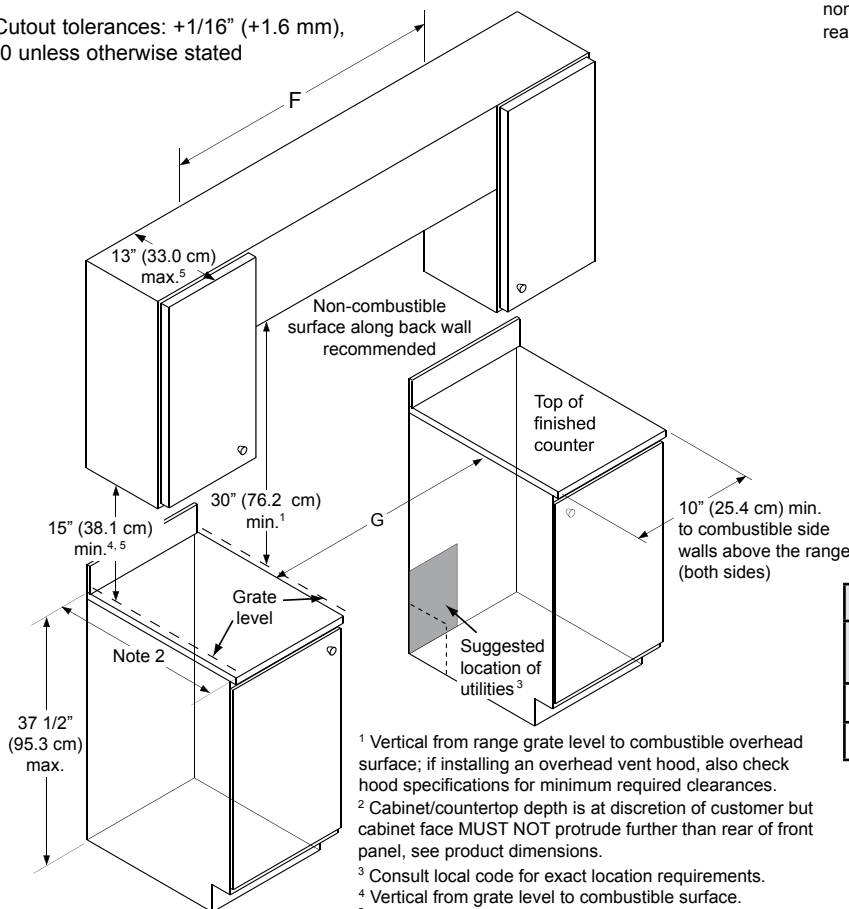
The installation must allow for the following:

- Access to the gas shut-off valve when the unit is installed.
- Access to the remote circuit breaker panel/fuse box, when the range is in place.
- The gas supply piping and shut-off valve, and the electrical junction box/receptacle must be located so they do not interfere with the range when it is installed.

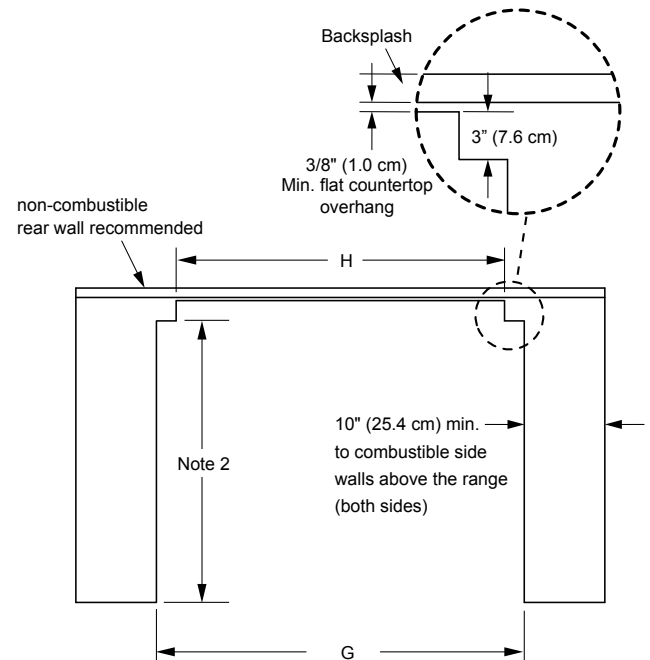
CUT-OUT DIMENSIONS			
Range Model	F	G	H
DYRP36D[-C]-S	42" (106.7 cm)* 36" (91.4 cm)**	36" (91.4 cm)**	33 1/2" (84.8 cm)
DYRP48D[-C]-S	54" (137.2 cm)* 48" (121.9 cm)**	48" (121.9 cm)**	43 1/2" (110.2 cm)

* Recommended
**Minimum

Cutout tolerances: +1/16" (+1.6 mm),
-0 unless otherwise stated



¹ Vertical from range grate level to combustible overhead surface; if installing an overhead vent hood, also check hood specifications for minimum required clearances.
² Cabinet/countertop depth is at discretion of customer but cabinet face MUST NOT protrude further than rear of front panel, see product dimensions.
³ Consult local code for exact location requirements.
⁴ Vertical from grate level to combustible surface.
⁵ This specification does not apply for cabinets more than a horizontal distance of 10" (25.4 cm) from the edge of the range.



CUTOUT WITH OPTIONAL DOWNDRAFT VENT (TOP VIEW)

APPROVED DOWNDRAFT VENT MODELS	
Downdraft Vent Model	For Use With Range Model
ERV36-ER	DYRP36D[-C]-S
ERV48-ER	DYRP48D[-C]-S

IMPORTANT: See the downdraft installation instructions for duct and electrical installation requirements. Use only the Dacor downdraft vent models specified above.